



**WinFan (M) Sdn. Bhd.**



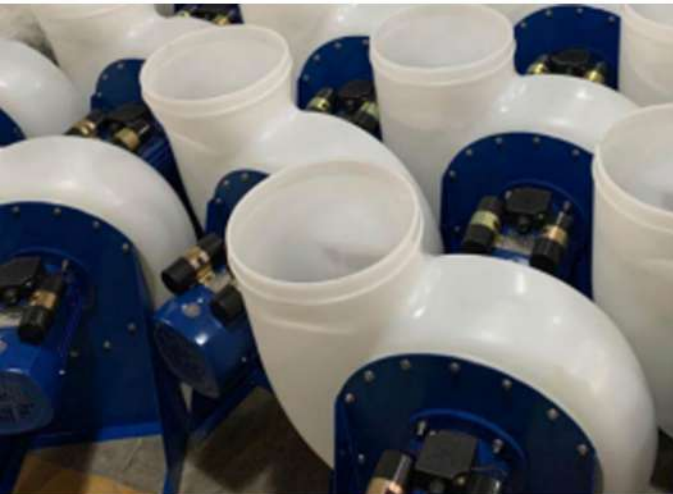
**PE Fan**

**WINFAN Corrosion Resistant Fan**

High Performance . Low Noise . Safety Enhance

*Committed to clean air,  
Committed to green earth.*

WinFan with its excellent manufacturing expertise applying theoretical hydrodynamic principle combing with advanced CAD aided manufacturing technique and completed testing equipment, enabling us to promote PE series fan which is high performance, high efficiency, low noise and low vibration, leading ahead of others same products. It is your best choice of fan.



WinFan PE housing with Fiber Reinforced PP (FRPP) Backward type Impeller are made with molded process featuring excellent chemical resistant and high-dimensional accuracy. The fan is driven by motor directly.

We use many measures to prevent corrosion for transmission shaft or motor. It run on Single or Three phase motor with or without speed control by VFD/Inverter. Inlet and outlet are standard round type, 200 mm, 250 mm and 300 mm which are convenient to connect to standard round duct.

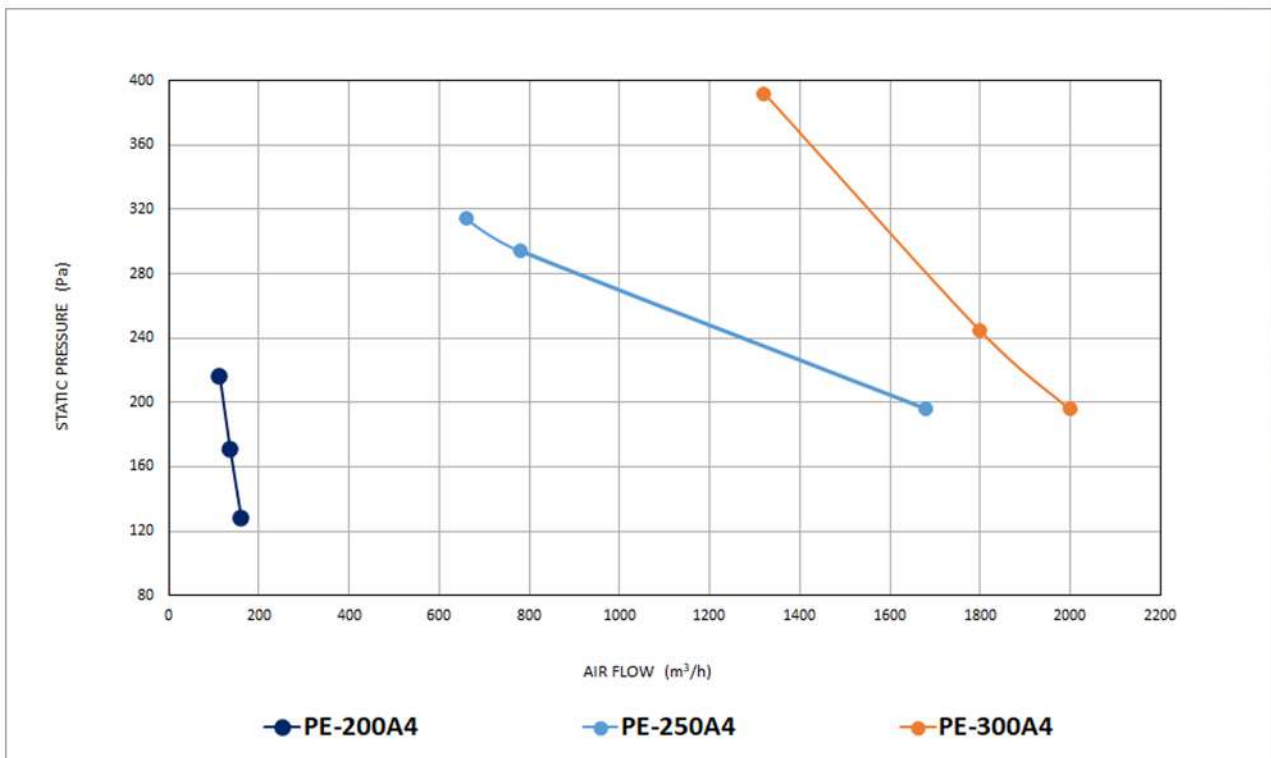


## Performance Data

Model	Volts (V/Hz)	Speed (rpm)	Power (kW)	Air Flow (m <sup>3</sup> /h)	Pressure (Pa)	Noise (dba)	Net Weight (kgs)
PE-200A2	220/380	2850	0.37	1200	882	71	19.5
PE-200A4	220/380	1450	0.37	160	216	54	15.5
PE-250A2	220/380	2850	1.1	3960	1382	75	25.5
PE-250A4	220/380	1450	0.75	1680	314	57	20.5
PE-300A2	220/380	2850	2.2	4860	1520	79	32
PE-300A2 + FRP	220/380	2850	2.2	2460	1951	79	40
PE-300A4	220/380	1450	1.5	2000	392	60	25.5

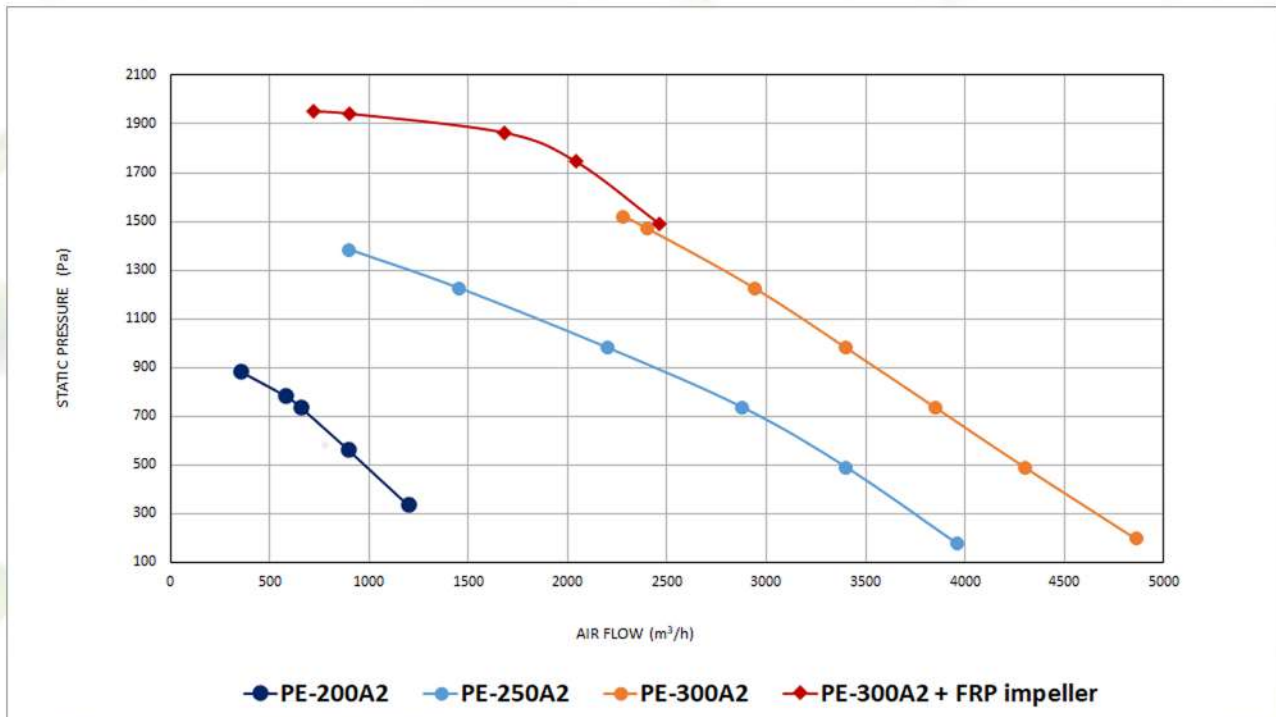
## Performance Curve Chart

### PE-A4 series



Remark: Air capacity is from 360 m<sup>3</sup>/h - 4860 m<sup>3</sup>/h and full pressure from 171 – 1951 Pa.

## PE-A2 series

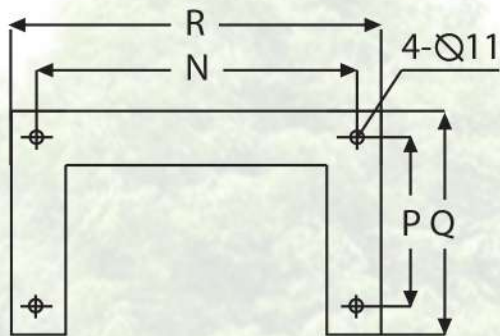
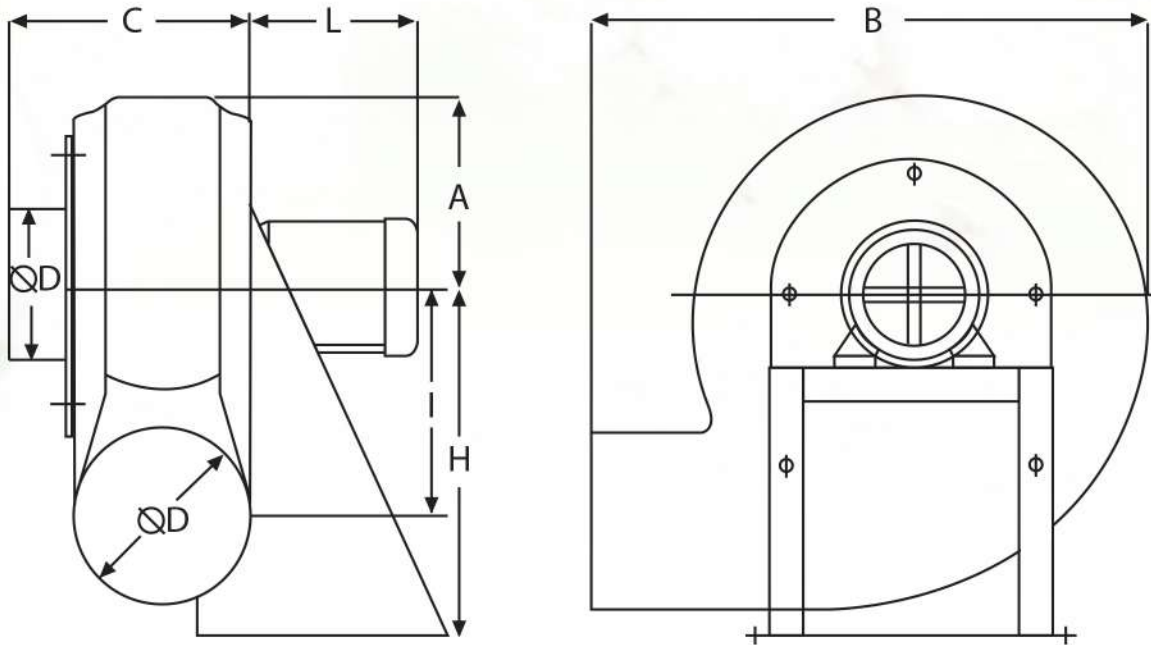


For those required much higher static pressure, we have incorporated FRP impeller (instead of PP) with PE casing.



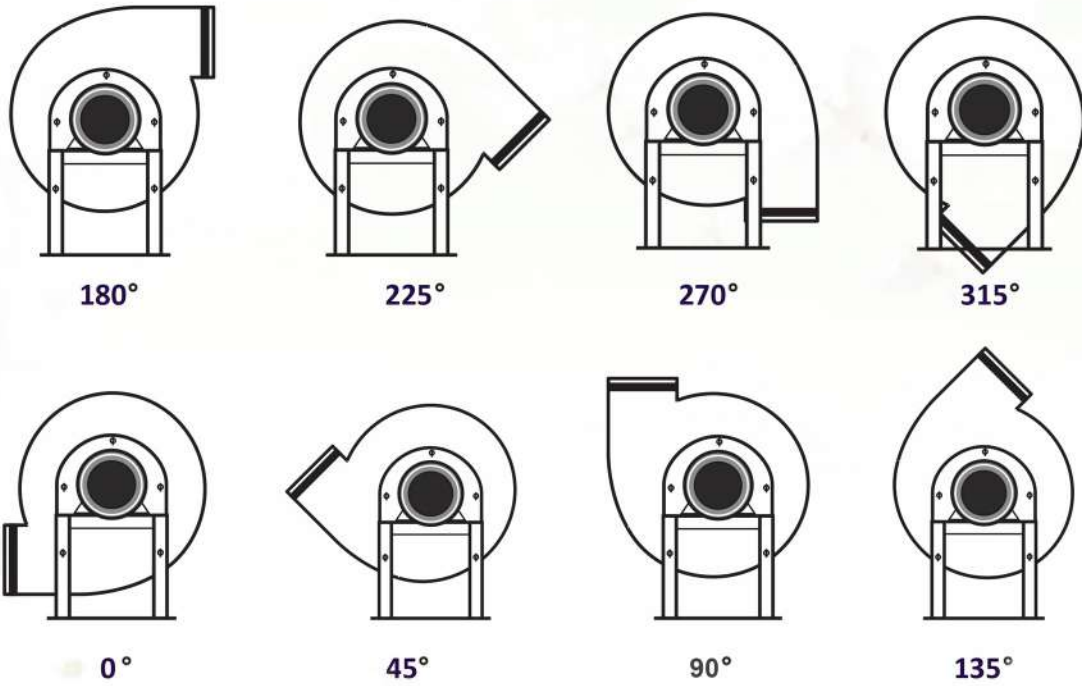
Remark: Air capacity is from 360 m³/h - 4860 m³/h and full pressure from 171 – 1951 Pa.

## Fan Dimension

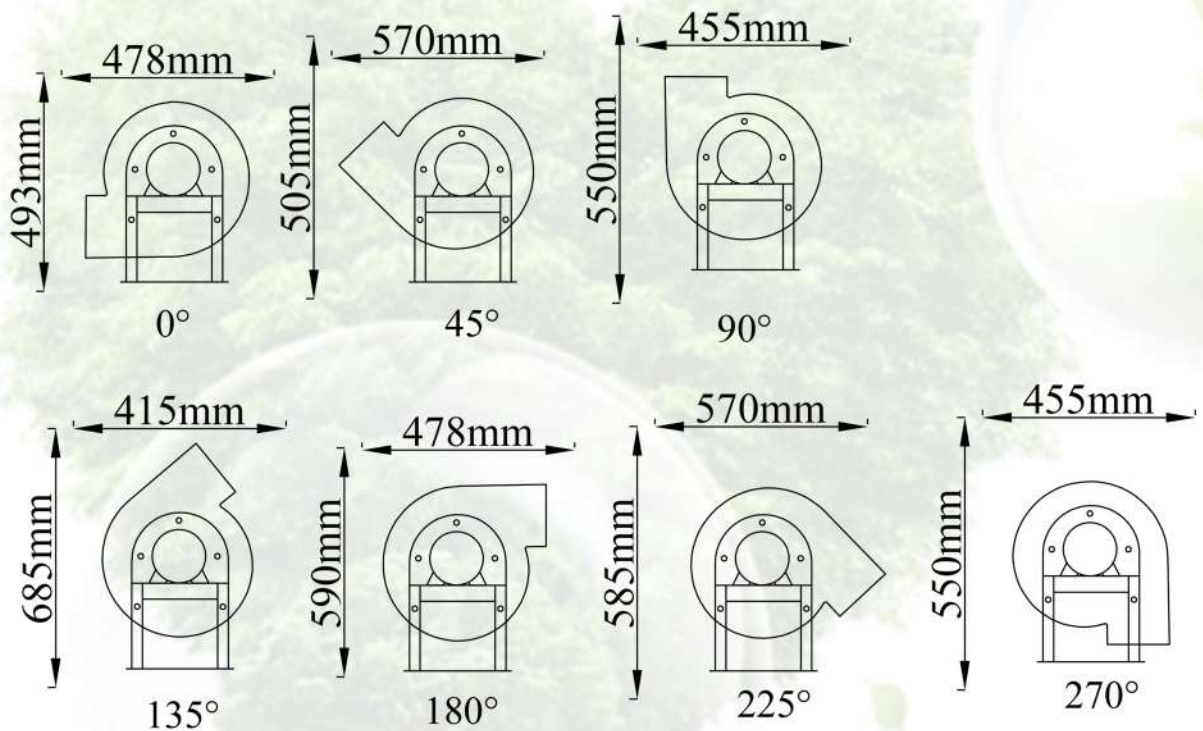


Model	A	B	C	D	H	I	L	R	N	Q	P
PE-200	183	478	220	200	310	170	210	290	255	140	100
PE-250	240	570	240	250	410	210	245	355	320	230	150
PE-300	287	670	265	300	443	335	340	393	350	230	150

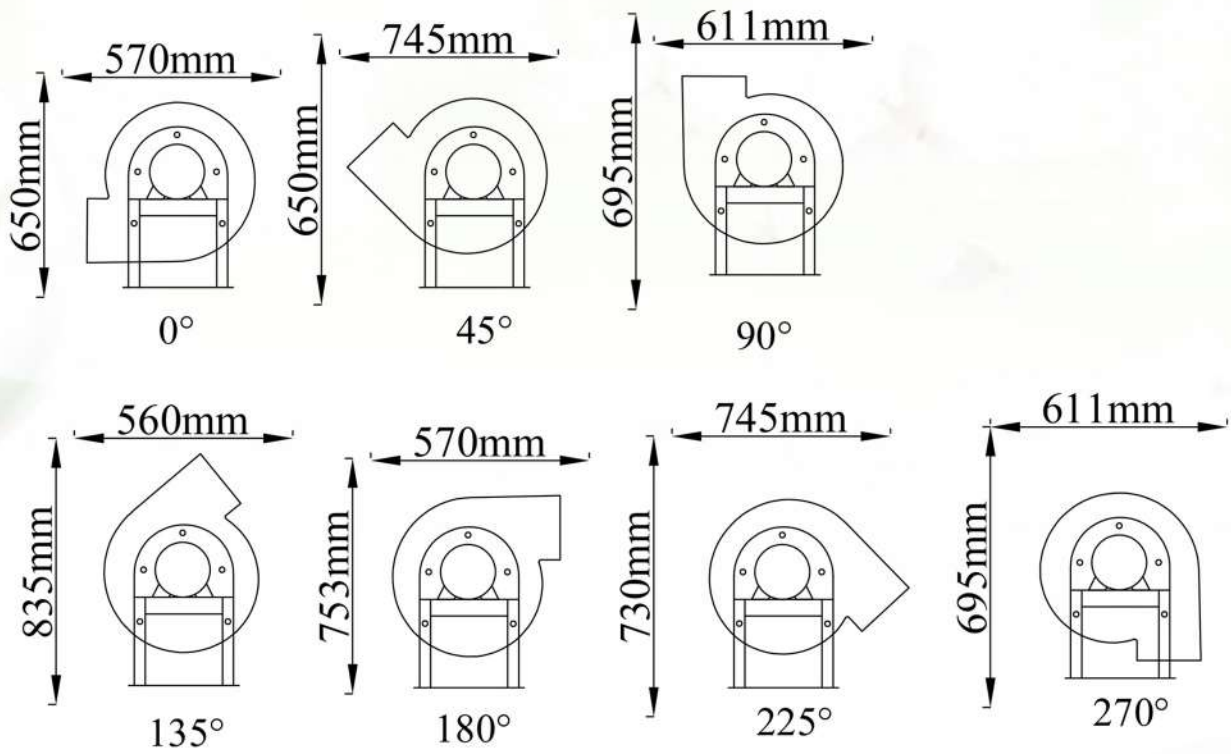
**Standard Fan Rotation and Outlet Direction**



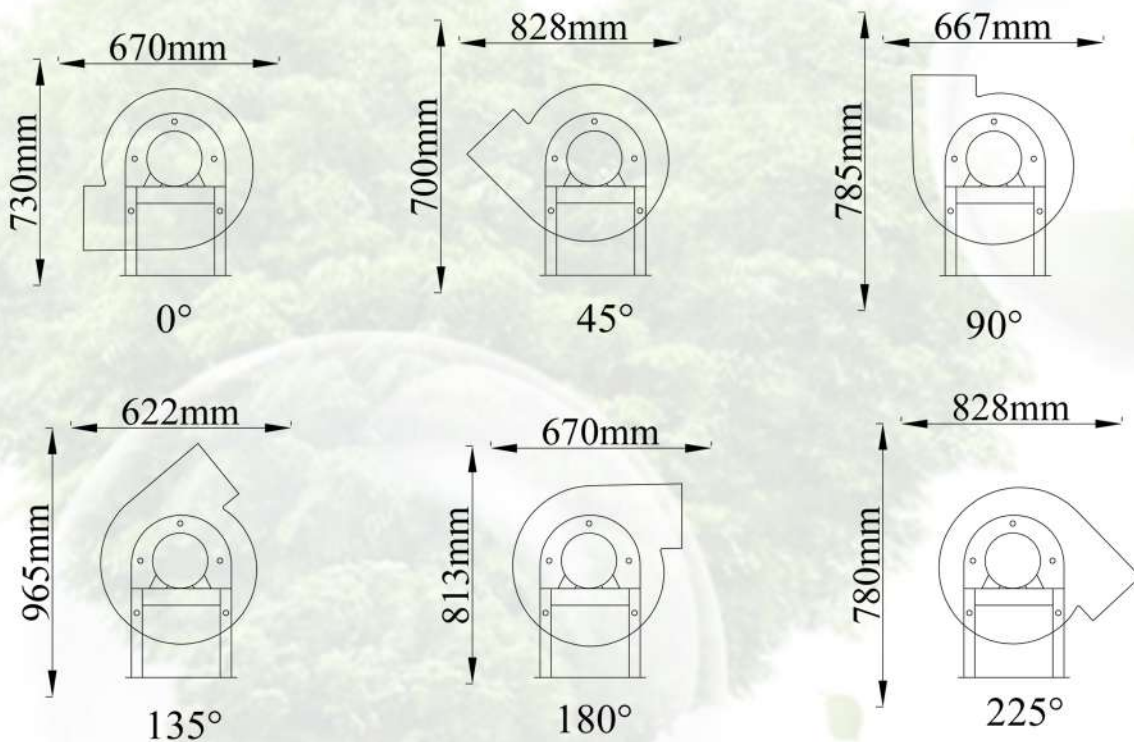
**PE-200**



**PE-250**



**PE-300**



# PE Fan

## WINFAN Corrosion Resistant Fan



### **WinFan (M) Sdn. Bhd.** (1063911-K)

TEL : +604-506 2335  
FAX : +604-506 2435  
Mobile : +6017-297 2335  
E-mail : [info@winfan.my](mailto:info@winfan.my)  
Website : <http://www.winfan.my>  
Address : PMT31, Jalan IKS Simpang Empat,  
Taman IKS Simpang Empat,  
14100 Simpang Ampat, Penang, Malaysia.

